

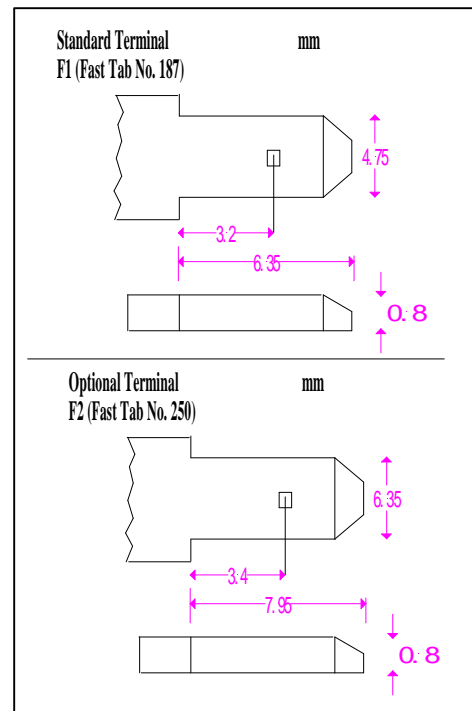
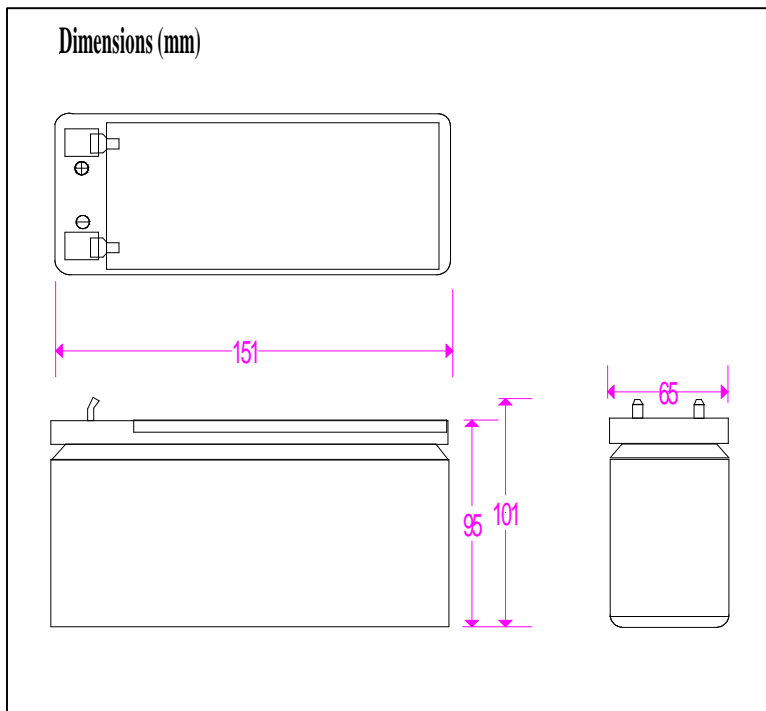


**UB1270 (12V7Ah)**

**NOTE**



PHYSICAL SPECIFICATIONS		
Nominal Voltage Nominal Capacity (20HR)		12V 7 Ah
Dimensions	Length	151 +/-1mm(5.94 inches)
	Width	65 +/-1mm(2.56 inches)
	Height	95 +/-2mm(3.74 inches)
	Total Height	101 +/-2mm(3.98 inches)
Weight		Approx. 2.50 kg (5.50lbs)
Standard Terminal		F1 – Faston Tab No.187





UB1270 (12V7Ah)

**ELECTRICAL SPECIFICATIONS**

Capacity	20 hour rate (0.35A) 10 hour rate (0.63A) 5 hour rate (1.12A) 1 hour rate (4.2A)	7 Ah 6.3 Ah 5.6 Ah 4.2 Ah	Max. Discharge Current (5 sec.)	
			Constant Voltage Charge	Cycle Initial Charging Current less than 2.1A Voltage 14.40V ~ 15.00V at 20°C(68°F) Temp. Coefficient-30mV/°C
Capacity affected by Temperature	40°C(104°F) 20°C(68°F) 0°C(32°F)	105% 100% 85%	Constant Voltage Charge	Standby Initial Charging Current less than 2.1A Voltage 13.50V ~ 13.80V at 20°C (68°F) Temp. Coefficient-20mV/°C
Internal Resistance Fully charged battery (20°C, 68°F) 35milliohms				

