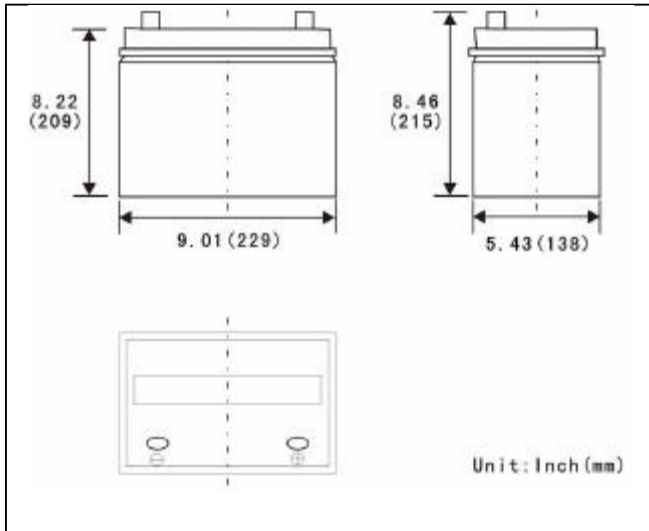




UB12550

Specifications		
Nominal Voltage		12V
Rated Capacity (20 hour rate)		55Ah
Dimensions	Tot. Height (with terminal)	8.46 in (215 mm)
	Height	8.22 in (209 mm)
	Length	9.01 in (229 mm)
	Width	5.43 in (138 mm)
Weight		Aprox. 37.44 lbs



Characteristics		
Capacity 77°F (25°C)	20 hr. rate 20	55Ah
	10 hr. rate 10	51.8Ah
	5 hr. rate 5	45.5Ah
	4 hr. rate 4	44.7Ah
	1 hr. rate 1	31.4Ah
Internal resistance. Full charged battery 77°F (25°C)		10 milliohms
Capacity affected by Temperature (20 hour rate)	104° F (40°C)	102%
	77°F (25°C)	100%
	32°F (0°C)	85%
	5°F (-15°C)	65%
Self Discharge 77°F (25°C)	Capacity after 3 months storage	90%
	Capacity after 6 months storage	80%
	Capacity after 12 months storage	60%
Watts per cell @ 4 hour		25
Run time @ 25A		1 hr. 46 min.
Discharge rate @ 4 hours		12.5A
Charge (Constant-Voltage)	Cycle	Initial charging current less than 20.3A. Voltage 14.5~14.9V/12V 77°F (25°C)
	Float	Voltage 13.6~13.8V/12V 77°F (25°C)

