



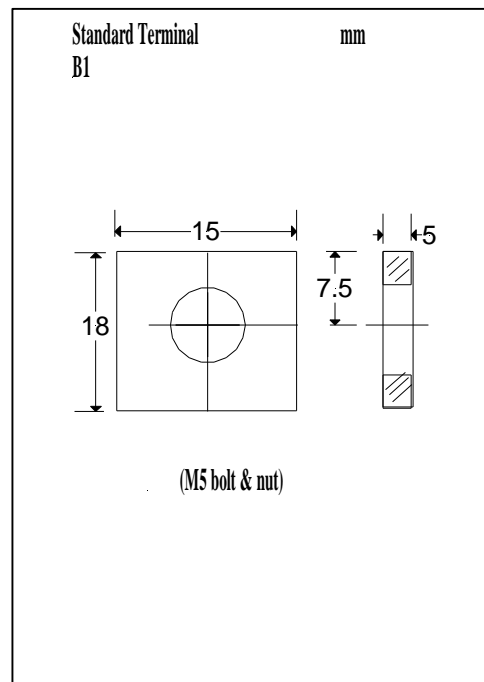
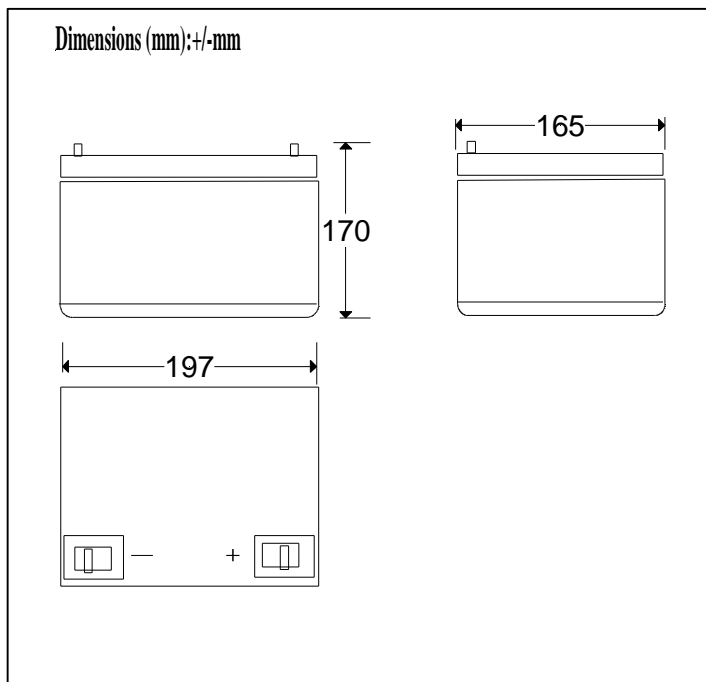
UB12400 (12V40Ah)

NOTE



PHYSICAL SPECIFICATIONS

Nominal Voltage Nominal Capacity (20HR)		12V 40Ah
Dimensions	Length	197 +/-1mm(7.76 inches)
	Width	165 +/-1mm(6.50 inches)
	Height	170 +/-1mm(6.69 inches)
	Total Height	170 +/-1mm(6.69 inches)
Weight		Approx. 14.0 kg (30.86lbs)
Standard Terminal		B1-M5 bolt & nut





ELECTRICAL SPECIFICATIONS

Capacity	20 hr rate 10 hr rate 5 hr. rate 1 hr rate	9.6V Terminal	10.5V Terminal	Max. Discharge Current (5 sec.)		500A
		47Ah	40 Ah	Constant Voltage Charge	Cycle	14.4 to 15.0V (-30mV/°C)
		38.5Ah	37.6 Ah		Standby	13.5 to 13.8V (-20mV/°C)
		34Ah	33 Ah			
		24Ah	23.5 Ah			

