



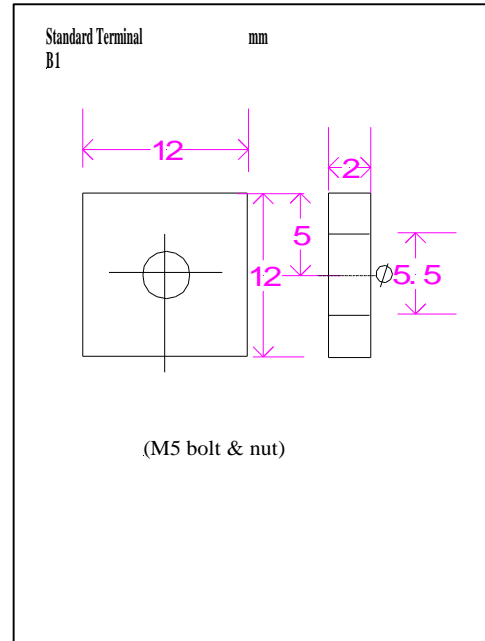
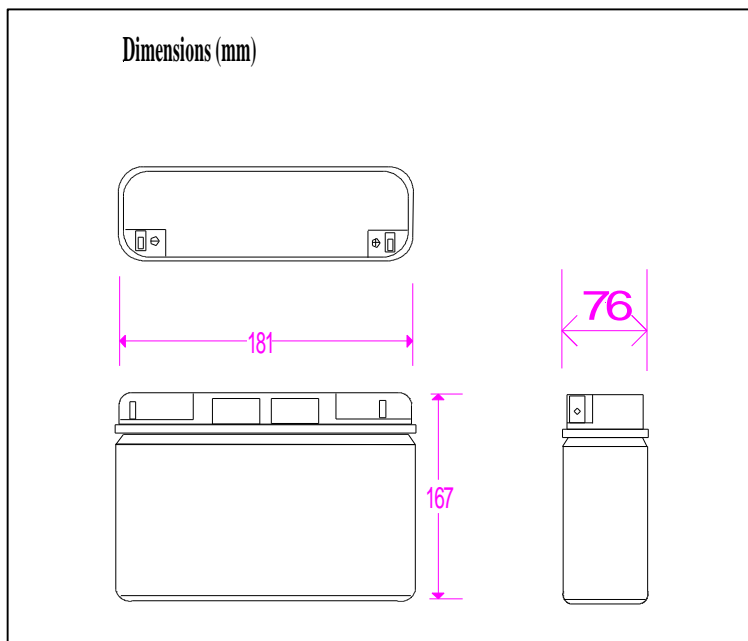
UB12180 (12V18Ah)

NOTE



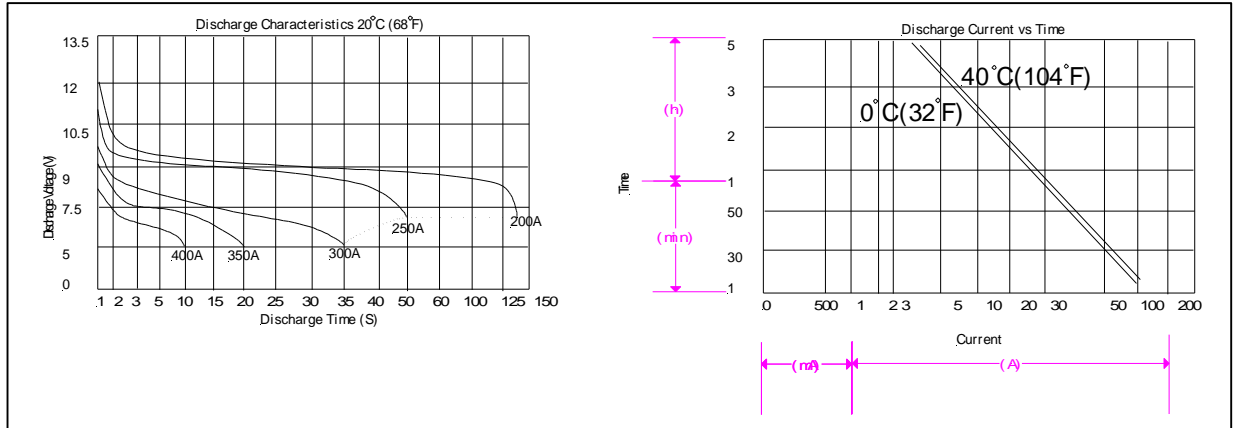
PHYSICAL/ELECTRICAL SPECIFICATIONS

Nominal Voltage Nominal Capacity (20HR) Max Charging Current		12V 18 Ah 5.4A
Dimensions	Length	181 +/-1mm(7.13 inches)
	Width	76 +/-1mm(2.99 inches)
	Height	167 +/-2mm(6.57 inches)
	Total Height	167 +/-2mm(6.57 inches)
Weight		Approx. 6.1 kg (13.45lbs)
Standard Terminal		F1 – M5 bolt & nut
20 hr @ 0.9A		18A
5 hr @ 3.06A		15.3Ah
1 hr @ 10.8A		10.8Ah
1C @ 18A		9Ah





UB12180 (12V18Ah)



Constant Power Discharge Characteristics Unit: WATT (25°C. 77°F) M: MINUTE

TIME F.V.	30M	1H	1.5H	3H	5H	8H	10H	20H
9.6V	229.0W	131.0W	101.0W	56.4W	37.2W	25.2W	20.4W	11.0W
10.2V	215.0W	127.0W	95.6W	54.0W	35.0W	23.8W	19.3W	10.3W
10.8V	201.0W	120.0W	90.3W	51.1W	33.5W	22.4W	18.2W	9.9W