

LONG DURATION SERIES



TEL12-125 VALVE REGULATED LEAD ACID BATTERY FOR COMMUNICATIONS STANDBY POWER APPLICATIONS

FEATURES

- Flame-arresting one-way pressure-relief vent for safety and long life.
- Thermally welded case-to-cover bond to ensure a leak-proof seal.
- Flame-retardant polypropylene case and cover compliant with UL94 V-0 with an Oxygen Limiting Index of greater than 28.
- Absorbent Glass Mat (AGM) technology for efficient gas recombination 99% plus.
- Thick positive plate design for maximum service float life – 10 year design life.
- Complies with UL1778, 924, 1989 and 94 V-0.
- UL-recognized component.
- Can be used in any orientation. Upright, side or end mounting recommended.
- Low-profile terminals with threaded copper alloy inserts for reduced height, reduced maintenance and increased safety.
- Multicell design for ease of installation and maintenance.
- Not restricted for air transport – Complies with IATA/ICAO Special Provision A67
- Not restricted for surface transport – classified as non-hazardous material as related to DOT-CFR Title 49 parts 171-189
- Not restricted for water transport – classified as non-hazardous material per IMDG Amendment 27.

12 Volts – 127 Ampere Hour Capacity @ 8 Hour Rate

Ampere Hour Capacity to 1.75 Volts per Cell @ 77°F (25°C)

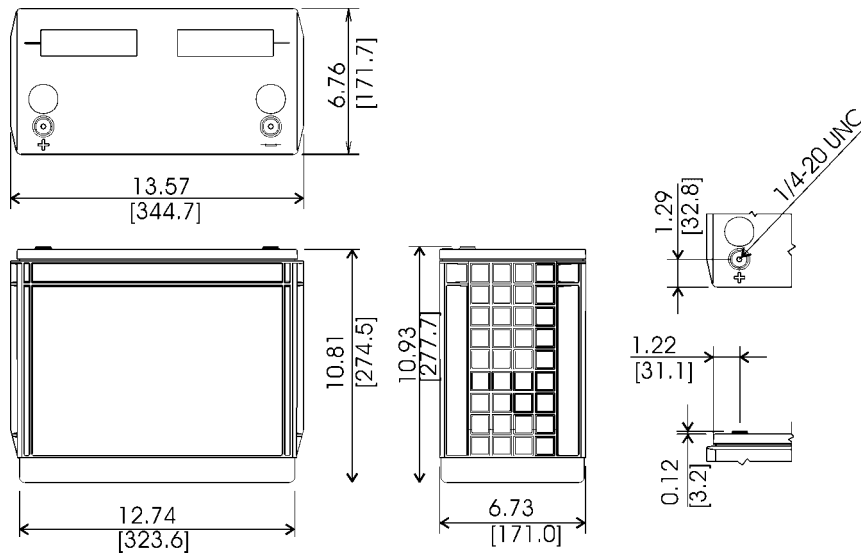
| Discharge in Hours | 1.00 | 2.00 | 3.00 | 4.00 | 5.00 | 6.00 | 7.00 | 8.00 | 10.00 | 12.00 | 20.00 | 24.00 | 72.00 | 100.00 |
|--------------------|------|------|------|------|------|------|------|------|-------|-------|-------|-------|-------|--------|
| Amp-Hr Capacity | 88.3 | 101 | 109 | 114 | 117 | 121 | 125 | 127 | 127 | 129 | 134 | 136 | 145 | 147 |

C&D Technologies, Inc.
DYNASTY Division
900 East Keefe Avenue
Milwaukee, WI 53212
Phone: 800-396-2789
Fax: 414-961-6506

Form 41-7104 (Rev. 08/99) Printed in the U.S.A.



TEL12-125



TEL12-125 – Specifications

*All dimensions in inches and (millimeters). All dimensions are for reference only. Contact a C&D Representative for complete dimensional information.

| Cells Per Unit | Voltage Per Unit | Weight | Electrolyte | Maximum Discharge Current | Short Circuit Current | Ohms Imped. 60 Hz (Ω) |
|---|------------------|-------------------|--|---------------------------|-----------------------|-----------------------|
| 6 | 12.84 | 100 lbs. 45 kg | Absorbed H ₂ SO ₄ SG = 1.300 | 800 Amps | 5000 Amps @ 0.1 sec. | 0.0230 Ohms |
| Capacity | | | 127 Ah @ 8 hour rate to 1.75 volts per cell @ 77° F (25° C) 123 Ah @ 10 hour rate to 1.80 volts per cell @ 20° C (68° F) | | | |
| Operating Temperature Range | | | Discharge: -40° F (-40° C) to +160° F (71° C), Charge: -10° F (-23° C) to +140° F (60° C) <small>(with temperature compensation)</small> | | | |
| Nominal Operating Temperature Range | | | +74° F (23° C) to +80° F (27° C) | | | |
| Float Charging Voltage | | | 13.5 to 13.8 VDC/unit Average @ 77° F (25° C) | | | |
| Recommended Maximum Charging Current Limit | | | C/5 amperes (23.4 amps @ 100% depth of discharge) | | | |
| Maximum AC Ripple (Charger) | | | 0.5% RMS or 1.5% P-P of float charge voltage recommended for best results. Maximum voltage allowed = 4% P-P Maximum current allowed = 6.7 amperes RMS (C/20) | | | |
| Self Discharge | | | Dynasty Telecom batteries may be stored for up to 6 months at 77° F (25° C) and then a freshening charge is required. For higher temperatures the time interval will be shorter. | | | |
| Accessories | | | Inter unit connectors, racks and cabinet systems are available. | | | |
| Terminal | | | Threaded copper alloy insert terminal to accept 1/4-20 UNC bolt. | | | |
| Terminal Hardware Initial Torque | | | 110 in.-lbs. (12.4 N-m). | | | |

Constant Current Discharge Ratings – Amperes @ 77°F (25°C)

| End Point Volts/Cell | Operating Time to End Point Voltage (in hours) | | | | | | | | | | | | | |
|----------------------|--|------|------|------|------|------|------|------|-------|-------|-------|-------|-------|--------|
| | 1.00 | 2.00 | 3.00 | 4.00 | 5.00 | 6.00 | 7.00 | 8.00 | 10.00 | 12.00 | 20.00 | 24.00 | 72.00 | 100.00 |
| 1.75 | 88.3 | 50.5 | 36.3 | 28.4 | 23.4 | 20.2 | 17.8 | 15.9 | 12.7 | 10.7 | 6.72 | 5.68 | 2.01 | 1.47 |
| 1.80 | 84.9 | 49.3 | 35.3 | 27.9 | 23.0 | 19.8 | 17.5 | 15.2 | 12.4 | 10.6 | 6.63 | 5.60 | 1.99 | 1.45 |
| 1.85 | 79.3 | 46.8 | 33.9 | 26.7 | 22.1 | 19.1 | 16.9 | 14.6 | 11.9 | 10.2 | 6.39 | 5.40 | 1.92 | 1.40 |
| 1.90 | 70.4 | 42.2 | 30.8 | 24.3 | 20.2 | 17.2 | 15.1 | 13.4 | 11.0 | 9.36 | 5.88 | 4.96 | 1.76 | 1.28 |

Note: Batteries to be mounted with 0.5 in. spacing minimum and free air ventilation. Specifications subject to change without notification.