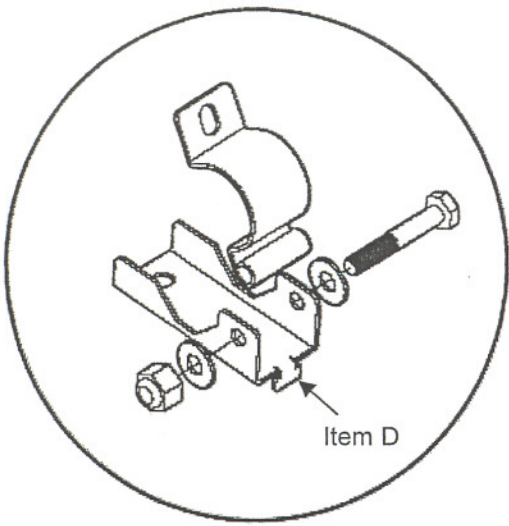




POLE MOUNT SE-PM2

#71102

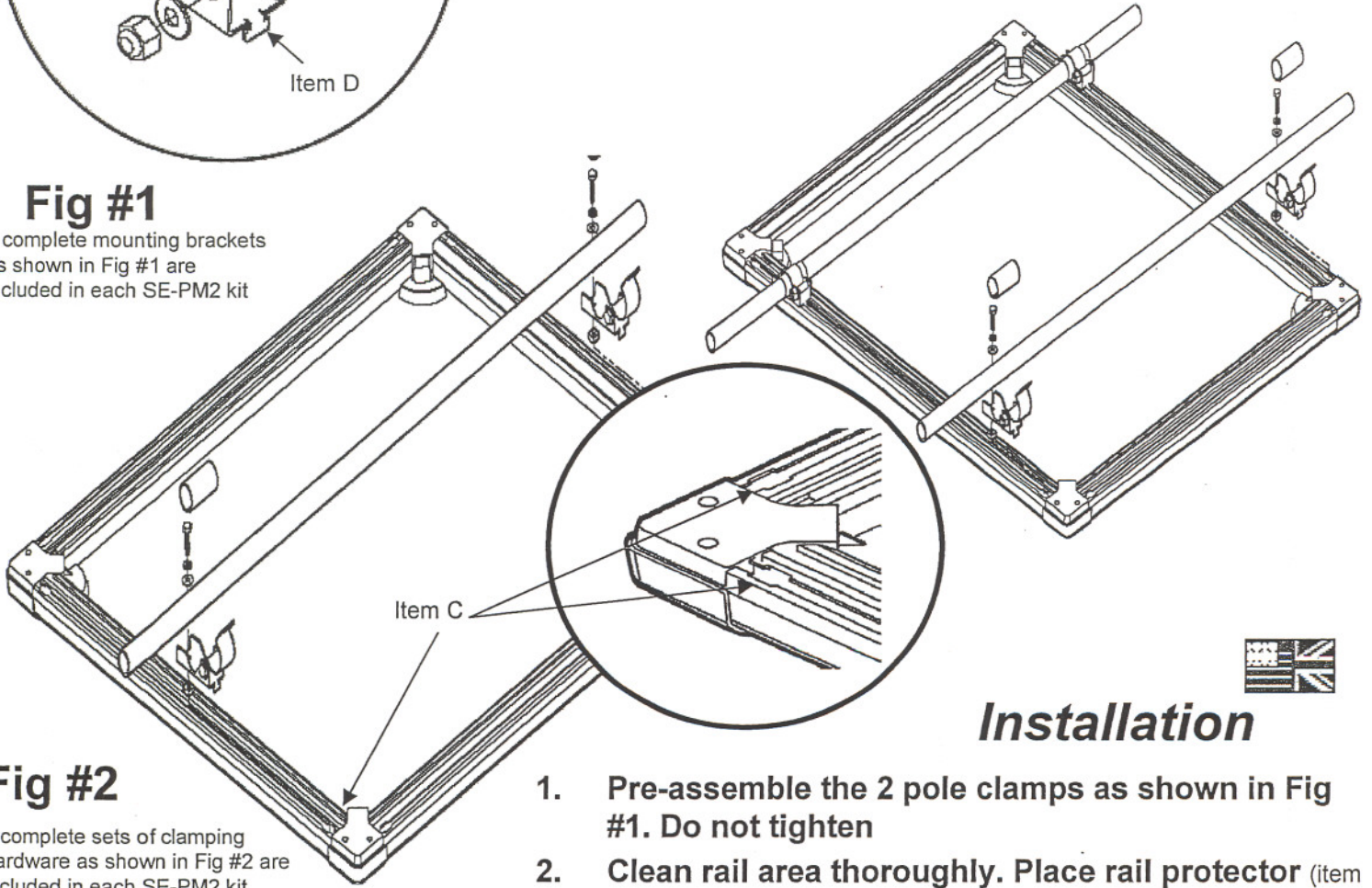
Mount the Sunsei SE4000, SE6000 or SE8000 solar panels onto 7/8" or 1" standard rail systems. Made from marine grade 316 stainless steel.



Item D

Fig #1

2 complete mounting brackets as shown in Fig #1 are included in each SE-PM2 kit



Item C

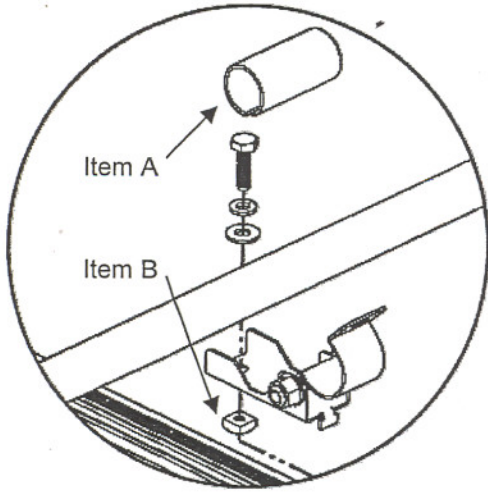


Installation

Fig #2

2 complete sets of clamping hardware as shown in Fig #2 are included in each SE-PM2 kit

1. Pre-assemble the 2 pole clamps as shown in Fig #1. Do not tighten
2. Clean rail area thoroughly. Place rail protector (item A) into position on rail.
3. Insert square 2 nuts (item B) into channel opening on solar panel near corners (Item C)
4. Insert the T-Mount (Item D) of the 2 pre-assembled clamps into the channel opening of the solar panel and slide down channel to mounting position
5. Position solar panel towards the sun as described in the panel installation guide. Close clamp and tighten bolts in final location.
6. For installations using 2 rails, install one end completely, then the other.



Item A

Item B

Register your warranty online and enter to win an ICP Solar product. www.icpsolar.com/warranty

Need help?
www.sunseisolar.com
+1 514.270.5770

Rev: 060126



ICP Solar Technologies
Montreal, Canada