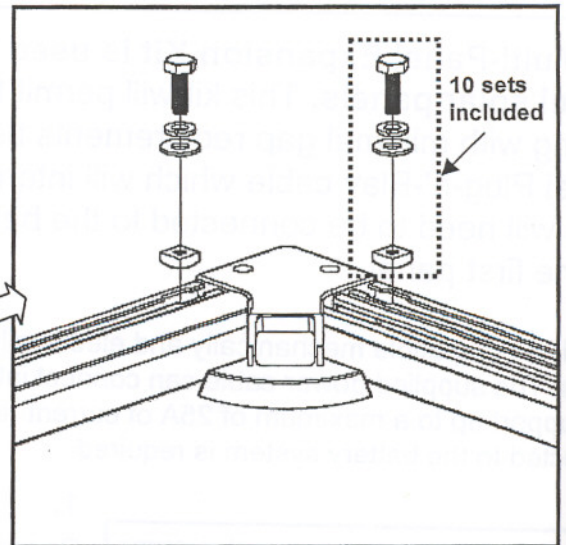
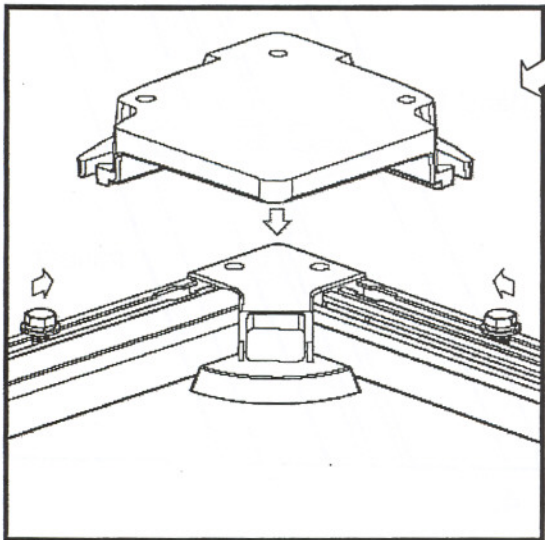


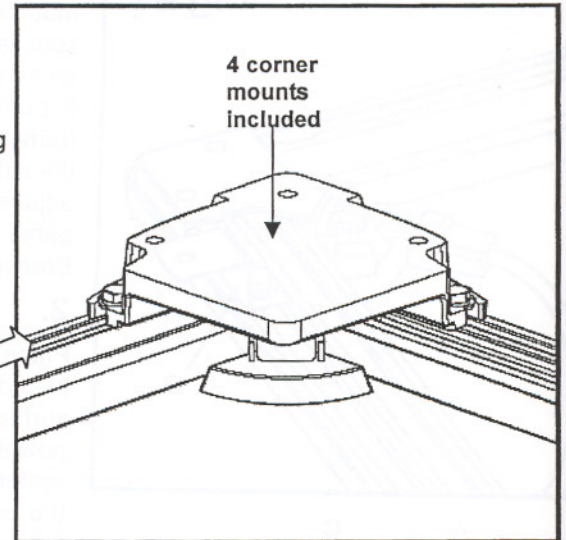
1. Insert square nut into channel opening on solar panel near corners. Insert bolt, lock washer through the side panel glue mount bracket into nut. Position on frame and tighten in place.



2. Insert square 2 nuts into channel opening on all 4 solar panel near corners, insert bolt with washer and lock washer in nuts and slide away from the corner

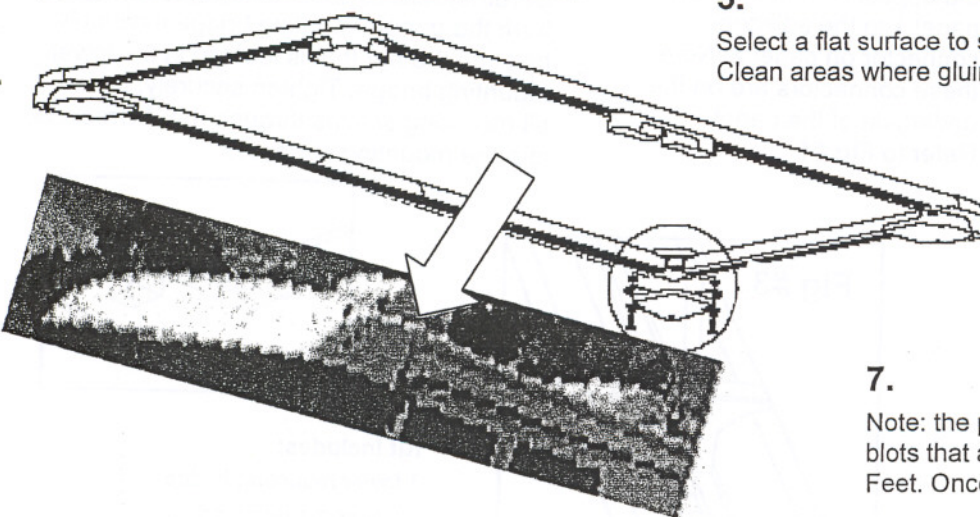


3. Into each of the 4 corners, position the 4 Glue Mounting Feet. Slide the nut and bolt into the slots in the Glue Feet. Ensure the washer and lock washer are on top of the plastic Glue Foot slot.



4. Once each Glue Foot is in position, tighten all bolts securely.

5. Select a flat surface to secure the Glue Feet. Clean areas where gluing will occur thoroughly.



6. Apply generous amounts of glue (1 glue container included) to the cleaned areas and each Glue Foot. Press panel with Glue Feet onto the glued areas and hold firmly. Refer to gluing directions on glue container for curing times and precautions.

7. Note: the panels can be removed by removing the blots that attach the Glue Feet. However, the Glue Feet. Once applied, are permanent.

Register your warranty online and enter to win an ICP Solar product. www.icpsolar.com/warranty

Need help?
www.sunseisolar.com
 +1 514.270.5770

Rev: 060126



ICP Solar Technologies
 Montreal, Canada