

The Multi-Panel Expansion Kit is used to mount and electrically connect 2 or more Sunsei solar panels. This kit will permit the panels to be mounted side-by-side in uniform spacing with minimal gap requirements between each panel. The Expansion Kit comes with a Sunsei Plug-n'-Play cable which will interconnect into the 1<sup>st</sup> panel. Therefore, only the 1<sup>st</sup> panel will need to be connected to the battery system and all other panels will "daisy-chain" into the first panel.

This kit is compatible mechanically and electrically with the Sunsei SE-4000, the SE-6000 and SE-8000 solar panels. The supplied power cable can connect into ICP Solar previous generation of SolarPRO panels. This kit can support up to a maximum of 25A of current (approximately 400W) before a 2<sup>nd</sup> daisy-chain of panels connected to the battery system is required.

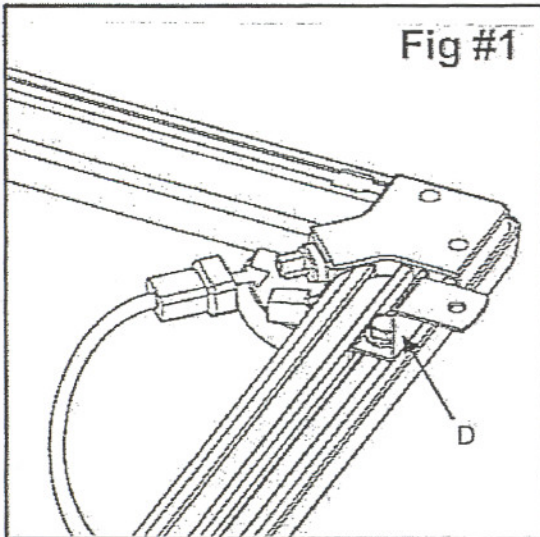
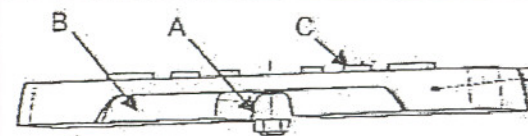


Fig #1

1. On each panel that is to be mounted, attach the supplied Z-Brackets (D) that came with the solar panel to the underside of the panel frame on all sides EXCEPT the sides which will be adjacent to another solar panel. Tighten the Z-Brackets securely.

2. Place panels 1 and 2 side-by-side on the mounting surface, face up. Attach the power cable to the battery system to panel 1. Attach the Expansion Kit cable from the opposite connector on panel 1 to the adjacent connector on panel 2. Note: these connectors are on the underside of the panel. Refer to Fig #1



3. Place the hex (A) nut into the lower mounting bridge (B). Lift the side of panel 1 that is adjacent to the side of panel 2 and insert the ridges (C) on lower half of the mounting bridge into the frame slots. Next, place panel 2 side frame on the lower half of the mounting bridge locating the ridges onto the frame slots of panel 2. Refer to Fig #2.

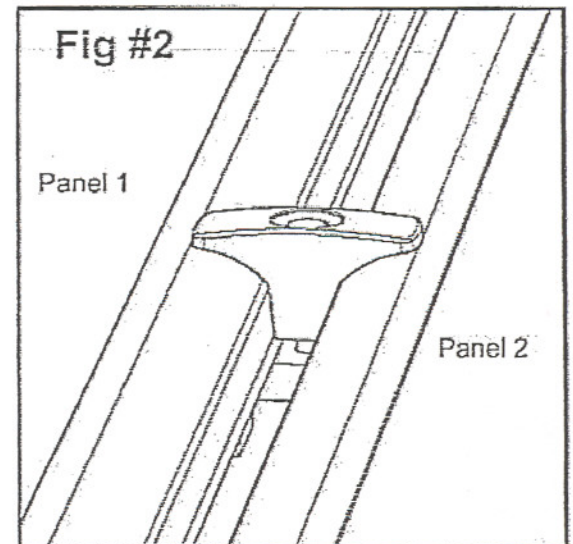


Fig #2

4. Carefully, start the threads (Fig #3) into from the upper mounting bridge assembly bolt into the nut that is located in the lower mounting bridge. Tighten securely. Install all mounting screws through the Z-Brackets into the mounting surface.

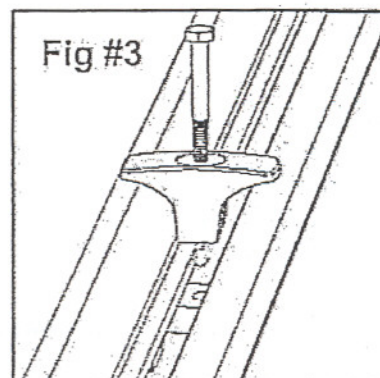
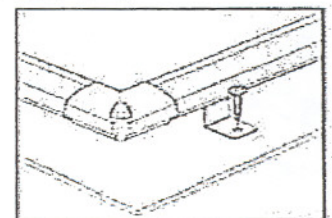


Fig #3



**Kit Includes:**  
 1 lower mounting bridge  
 1 upper mounting bridge  
 1 24" (60cm) Expansion Kit power cable  
 1 mounting bridge bolt and nut