



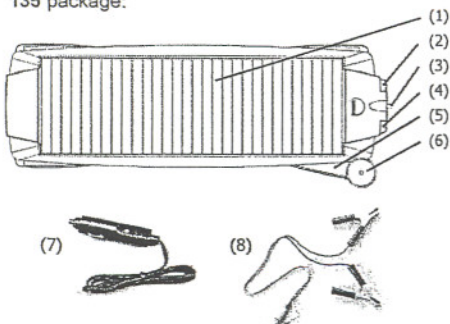
SOLARCHARGER 135

Operating Instructions



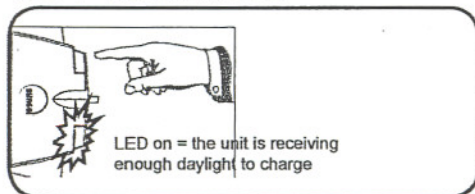
PRODUCT AND ACCESSORIES

This is what is included in your SolarCharger 135 package:



- (1) Solar panel
- (2) Test button
- (3) Connector and protection cap
- (4) LED
- (5) Wing (4)
- (6) Suction cup (4)
- (7) Cigarette lighter adapter
- (8) Battery clamp wire

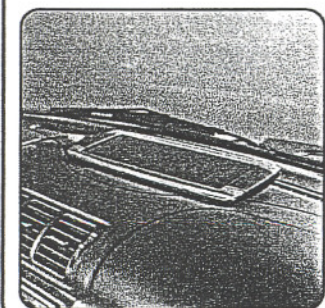
STEP 1 – TESTING THE UNIT



STEP 2 – INSTALLATION

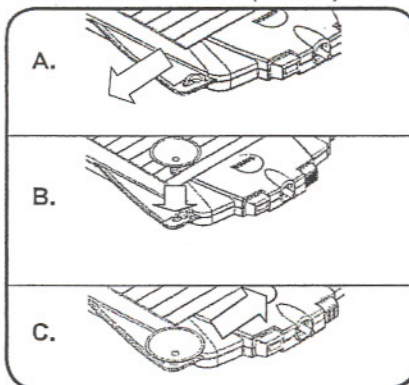


On a window pane using suction cups

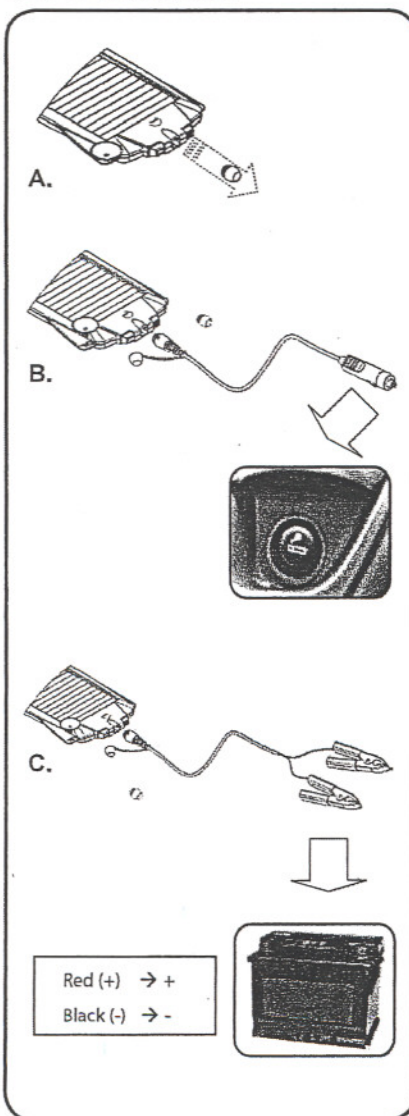


On the dashboard of your car

STEP 2 – INSTALLATION (CONT'D)



STEP 3 – CONNECTION



FREQUENTLY ASKED QUESTIONS

Q1: Will the SolarCharger 135 keep my vehicle battery charged?
A: The SolarCharger 135 trickle charger compensates for natural voltage losses and key-off small instrumentation drain by replenishing your battery at a maximum rate of 135mA in full sunlight.

Q2: What types of batteries can I trickle charge?
A: You can trickle charge all types of 12V batteries including automotive batteries, deep cycle (traction) batteries, gel-cell batteries, and heavy-duty (stationary) batteries.

Q3: Can the SolarCharger 135 drain my battery at night?
A: No. All Sunsei™ solar panels are equipped with a built-in diode, which prevents any reverse current.

Q4: Can I overcharge my battery with the SolarCharger 135?
A: The SolarCharger 135 will not overcharge a vehicle battery.

Q5: Can I start my vehicle with the SolarCharger 135 connected to the cigarette lighter socket or battery?
A: Yes. The SolarCharger 135 can remain connected while the vehicle is operating. As a safety precaution while driving, store the panel in a secure place.

Q6: Can the SolarCharger 135 be left outdoors?
A: Yes. However, if you want to use the SolarCharger 135 outdoors for more than a week, we suggest that you put a bead of clear silicone gel around the edges of the solar plate and connector.

Q7: Will the SolarCharger 135 always charge the battery through the cigarette lighter socket?
A: In some car models, the cigarette lighter socket is inactive while the vehicle is off. Please consult your car owner's manual. In the event that your car presents this limitation, use the battery clamps wire provided with the unit in order to connect it directly to your battery.

Q8: When I push the test button, the blue LED does not light up on the SolarCharger 135.
A: If the LED is not lit when pressing the test button, it may mean that you are not exposing the unit to enough daylight. Please position the solar panel to maximize its exposure to the sun.

WARRANTY

ICP Solar Technologies grants the original purchaser of the Sunsei™ SolarCharger 135 a **10-year** warranty on the power output and a **2-year** warranty on the materials of the module. ICP guarantees that the unit will produce a minimum 80% of its original minimum power rating for the Warranty Period from the purchase date. ICP warrants the module to be free from defects in materials and workmanship under normal applications, installation, use and service conditions for the Warranty Period from the purchase date. ICP will, at its option, either repair or replace the product if it becomes inoperable due to a defect in material or labor during the Warranty Period. This warranty does not cover installation or costs derived thereof. ICP shall not be responsible for any costs due to removal, shipment, re-installation or any other loss due to warranty servicing. The maximum liability to ICP under this warranty shall not exceed the purchase price of this product. This warranty does not cover any module that has been damaged by misuse, neglect, improper installation or acts of God, including lightning, floods, earthquakes, fire and high winds. This warranty does not cover accessories included with the product. This warranty does not cover product that is broken after purchase. ICP shall not be responsible for any damage to persons or property caused by improper installation, misuse or improper handling of this product. Some states do not allow exclusion or limitation of accidental or consequential losses so the exclusions may not apply to the purchase. This warranty gives you specific legal rights and you may have other rights, which vary from one state (or province) to another. Please note that ICP will not accept returns without prior authorization. The original proof of purchase is required for warranty validation.

Warranty for accessories: A 2-year warranty is given on accessories such as, but not limited to, cables included with the product. The warranty applies from the original purchase date.

Model: SE-135

Power:	135mA, 15V (2W)
Dimensions:	39.4 cm x 12.7 cm x 2 cm
Weight:	0.9 lbs / 0.41 kg
Temperature:	-40°F to 176°F / -40°C to 80°C

Register your warranty online and enter to win an ICP Solar product. www.icpsolar.com/warranty

Need help?
www.sunseisolar.com
+1 514.270.5770



ICP Solar Technologies
Montreal, Canada